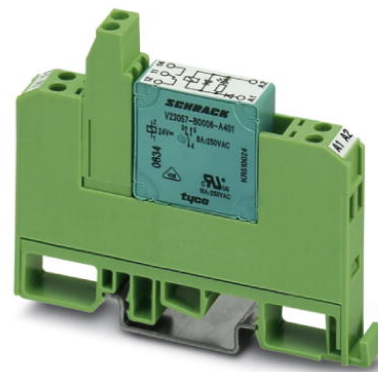


EMG 10-REL/KSR-G 24/21-LC

Order No.: 2942153

The illustration shows version EMG 10-REL/KSR-G 24/1-LC, with soldered-in miniature switching relay



<http://eshop.phoenixcontact.de/phoenix/treeViewClick.do?UID=2942153>

Relay module, with soldered-in miniature switching relay, contact (AgCdO): medium to large loads, 1 PDT, input voltage 24 V DC



Commercial data

EAN	4017918080648
Pack	10 Pcs.
Customs tariff	85364190
Weight/Piece	0.04194 KG
Catalog page information	Page 108 (IF-2007)

Product notes

WEEE/RoHS-compliant since:
04/27/2006



<http://www.download.phoenixcontact.com>
Please note that the data given here has been taken from the online catalog. For comprehensive information and data, please refer to the user documentation. The General Terms and Conditions of Use apply to Internet downloads.

Technical data

Coil side

Nominal input voltage U_N	24 V DC
Input voltage range in reference to U_N	0.8 ... 1.1
Nominal input current at U_N	21 mA
Typical response time	7 ms

Typical release time	11 ms
Operating voltage display	Yellow LED
Name of protection	Polarity protection
Protective circuit/component	Polarity protection diode

Contact side

Contact type	Single contact, 1-PDT
Contact material	AgNi
Maximum switching voltage	250 V AC/DC
Maximum inrush current	8 A
Limiting continuous current	6 A
Interrupting rating (ohmic load) max.	140 W (for 24 V DC)
	60 W (for 48 V DC)
	45 W (for 60 V DC)
	35 W (for 110 V DC)
	55 W (for 220 V DC)
	1500 VA (for 250 V AC)

General data

Length	75 mm
Height	62.5 mm
Width	10.6 mm
Test voltage relay winding/relay contact	4 kV AC (50 Hz, 1 min)
Ambient temperature (operation)	-20 °C ... 40 °C
Ambient temperature (storage/transport)	-20 °C ... 70 °C
Operating mode	100% operating factor
Service life mechanical	Approx. 2×10^7 cycles
Standards/regulations	IEC 60664
	IEC 60664 A
	DIN VDE 0110
	DIN EN 50178/DIN VDE 0160 (in relevant parts)
	Basic insulation
Pollution degree	2
Surge voltage category	III
Mounting position	Any
Assembly instructions	In rows with zero spacing

Connection data

Type of connection	Screw connection
Conductor cross section solid min.	0.2 mm ²
Conductor cross section solid max.	4 mm ²
Conductor cross section stranded min.	0.2 mm ²
Conductor cross section stranded max.	2.5 mm ²
Conductor cross section AWG/kcmil min.	24
Conductor cross section AWG/kcmil max.	12
Stripping length	8 mm
Screw thread	M3

Certificates / Approvals

Approval logo



requested approbations

Certification	CUL, GOST, UL
---------------	---------------

Accessories

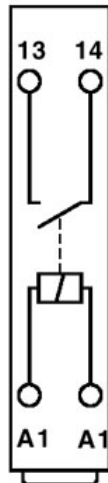
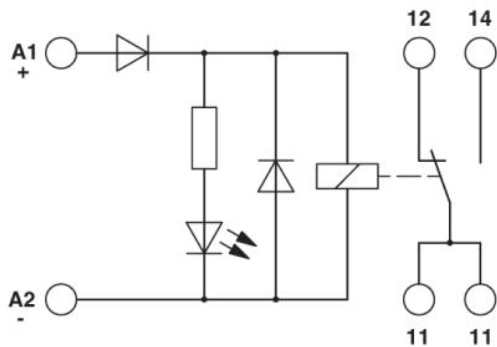
Item	Designation	Description
------	-------------	-------------

Marking

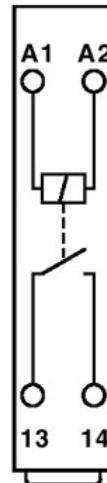
2947585	EMG-SGKS 10	Equipment marker, narrow
---------	-------------	--------------------------

Drawings

Circuit diagram



a



b

a = standard module: Coil connections bottom!
b = 180° inverted connection: Coil connections top!

Address

PHOENIX CONTACT Inc., USA
586 Fulling Mill Road
Middletown, PA 17057, USA
Phone (800) 888-7388
Fax (717) 944-1625
<http://www.phoenixcon.com>



© 2008 Phoenix Contact
Technical modifications reserved;